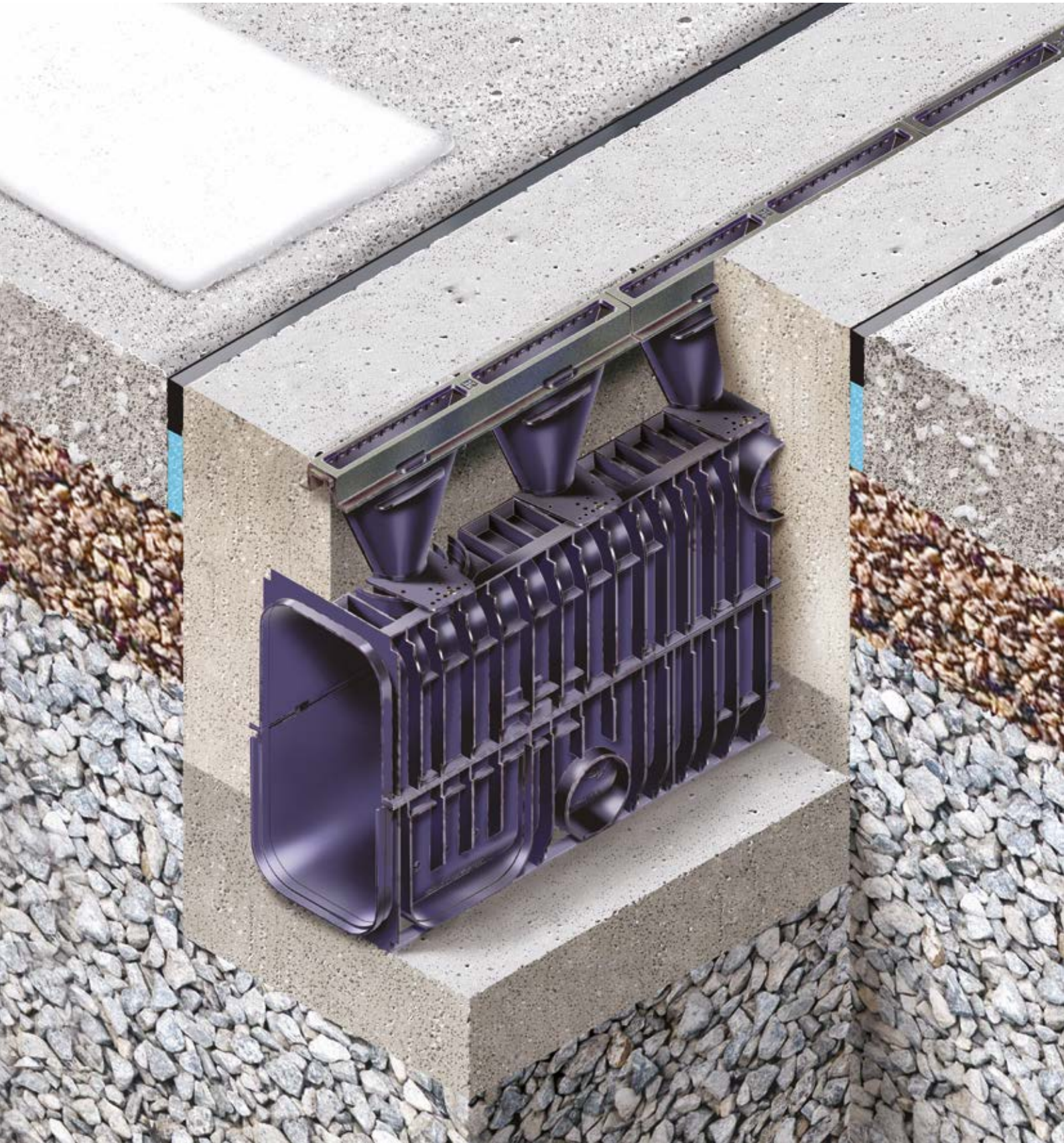


RECYFIX® HICAP®

High capacity drainage system for the highest load category.





RECYFIX® HICAP®

High capacity drainage system for the highest load category.

1 Requirements

Drainage system for extreme conditions with

- high hydraulic requirements
- high loads
- large areas
- ailing sewer systems

2 Application areas

- parking areas
- supermarkets/shopping centres
- pedestrian areas
- airports
- industrial estates
- container terminals
- ports
- circuits and test tracks

3 Solutions

Special features of RECYFIX HICAP:

- drainage and retention in one component
- large selection of nominal widths
- for all loading classes and all common road surface finishes
- less manholes and outlets
- provides a uniform visual appearance also in large projects
- no separate gratings
- no expensive pipe installations required
- high hydraulic capacity
- easy to maintain



Airport Newquay, England



Renovation city center Szentendre, Hungary



Toyota test track Brussels, Belgium



Industrial estate, England



Teesport Container Terminal, UK

FASERFIX®SUPER

FASERFIX®KS

FASERFIX®BIG

RECYFIX®PLUS X

RECYFIX®NC

RECYFIX®MONOTEC

RECYFIX®HICAP®

FASERFIX®POINT

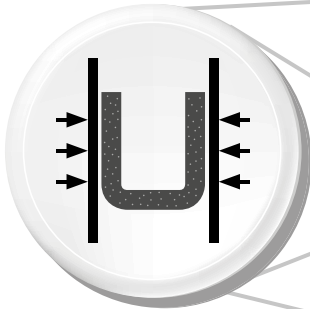
The benefits of **RECYFIX®HICAP®F** channels



Fast & easy installation

- easy to handle and install
- integrated tongue and groove joint
- installation in one component
- less pipe installations

= **Cost saving**



Top inlet made of high-quality ductile iron and channel body from sustainable PP

- material: ductile iron EN GJS-500-7
- 23 times higher tensile strength and 9 times higher compressive strength as polymer concrete
- various gratings
- surfaces extremely robust and indestructible

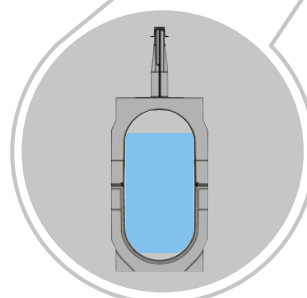
= **Safety**



Channel body made from sustainable material

- material from 100 % recycled PP
- very light and unbreakable material

= **Security**



Large retention volume

- drainage and retention in one component
- high capacity and back-pressure capacity due to a variety of nominal widths from 100 to 680 mm
- less trash boxes and pipe connections required

= **Flexibility/Security**





Link&Lock facilitates the installation

- innovative linking system for ductile iron tops
- easy and quick alignment of each channel metre

= **Cost savings**



Individual Solutions

- possible radial installation
- cable and pipe installations can be laid through funnel
- ductile Iron top on the surface can be interrupted while the channels on the underground continue

= **Flexibility**



Various Connecting Possibilities

- end cap with canal connection option
- simple possibility for preparation of corner and T-connections
- end cap adapter for connecting the next nominal width
- various options for pipe connections exists on the channel

= **Flexibility**



High stability

- designed for extreme conditions, especially for applications in heavy road traffic up to class F 900

= **Safety**



Wide range

- various gratings, also available with KTL coating for extra corrosion protection
- uniform design also in different nominal widths

= **Flexibility**

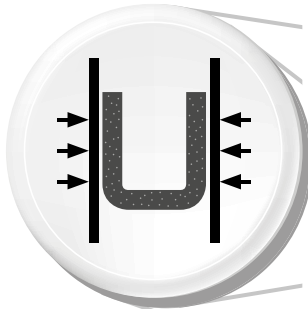
The benefits of **RECYFIX®HICAP®G** channels



Fast & easy installation

- easy to handle and install
- integrated tongue and groove joint
- installation in one component
- less pipe installations

= **Cost saving**



Top inlet made of high-quality ductile iron and channel body from sustainable PP

- material: ductile iron EN GJS-500-7
- 23 times higher tensile strength and 9 times higher compressive strength as polymer concrete
- surfaces extreme robust and indestructible

= **Safety**



Channel body made from sustainable material

- material from 100 % recycled PP
- very light and unbreakable material

= **Security**



Large retention volume

- drainage and retention in one component
- high capacity and back-pressure capacity due to a variety of nominal widths from 100 to 300 mm
- less trash boxes and pipe connections required

= **Flexibility/Security**





Direct connection for all surfaces

- for all kind of surface layers
- direct visible connection to ductile iron tops
- no concrete stretcher visible

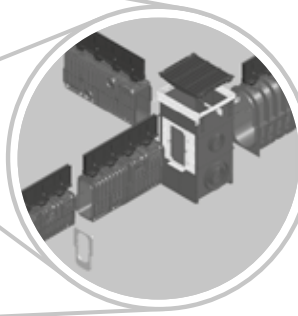
= **Flexibility**



Individual Solutions

- possible radial installation
- ductile Iron top on the surface can be interrupted while the channels on the underground continue

= **Flexibility**



Various Connecting Possibilities

- end cap with canal connection option
- simple possibility for preparation of corner and T-connections
- End cap adapter for connecting the next nominal width
- Various options for pipe connections exists on the channel

= **Flexibility**



High stability

- designed for extreme conditions, especially for applications in heavy road traffic up to class F 900

= **Safety**

RECYFIX®HICAP®

High capacity drainage system for the highest load category.

RECYFIX®HICAP® channels drain the largest airport in Europe

Airport modernisation for the A 380 using RECYFIX®HICAP®

Heathrow airport in London is Europe's largest airport and the third largest in the world. One main reason for extending the air traffic surfaces was the introduction of the Airbus A 380. The drainage channels must be able to stand up not only to the new super-aircraft, but also to the dimensions of the new aircraft tugs: they weigh about 80 tonnes and, like the aircraft itself, turn directly on the drainage channels.

Long-term durability and lasting safety for service under extreme conditions:

- cost savings due to long lengths and few sewage pipe connection points
- very large drainage capacity due to large nominal width of 150 to 300 mm
- robust and rugged material at the surface: ductile iron EN-GJS-500-7
- low weight, easy installation
- product made of recycled PP meets sustainability criteria











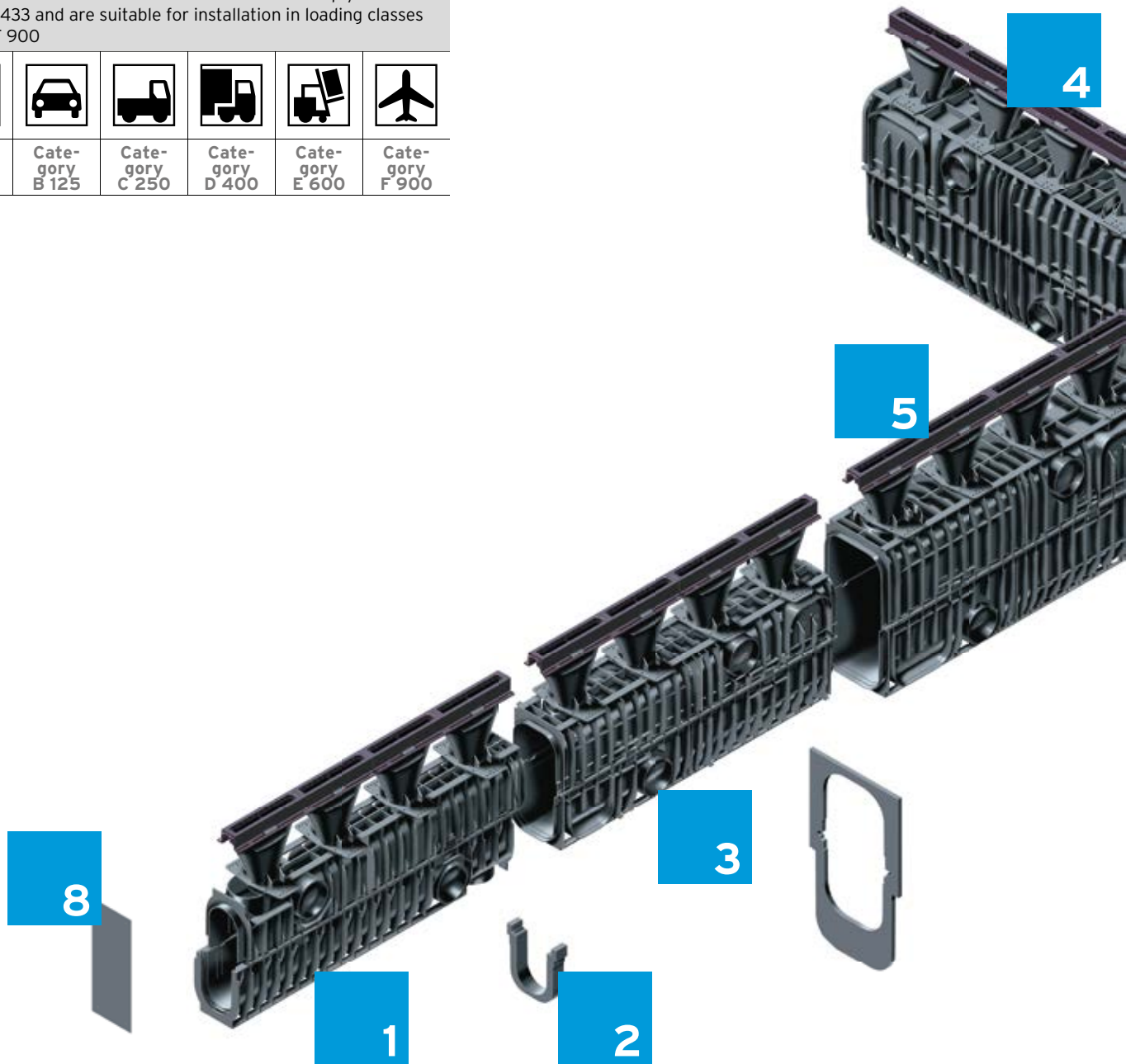
FASERFIX®SUPER
FASERFIX®KS
FASERFIX®BIG
RECYFIX®PLUS X
RECYFIX®NC
RECYFIX®MONOTEC
RECYFIX®HICAP®
FASERFIX®POINT

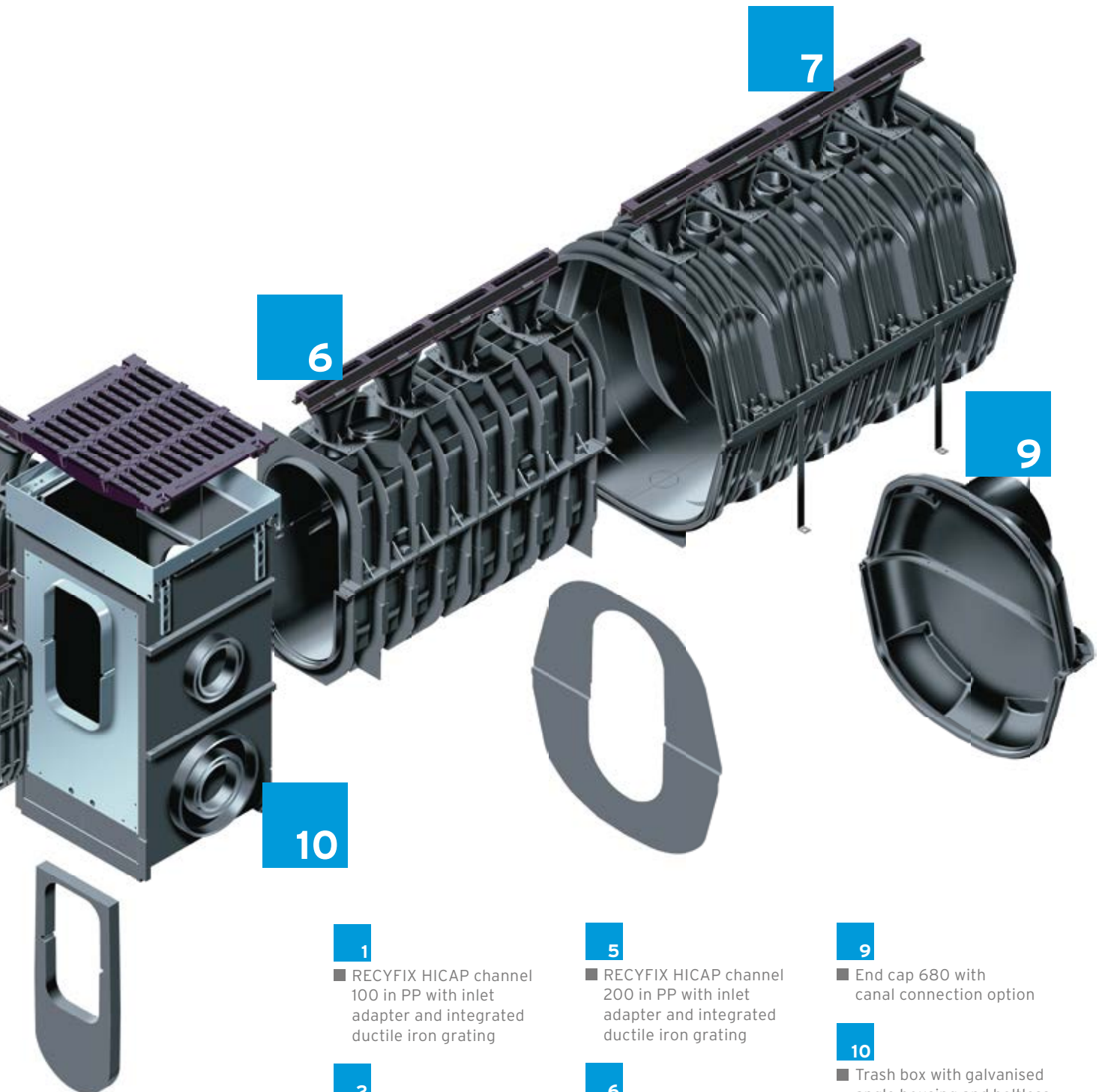
RECYFIX® HICAP®

High capacity drainage system for the highest load category.

RECYFIX HICAP channels have been tested to comply with DIN EN 1433 and are suitable for installation in loading classes A 15 to F 900

					
Category A 15	Category B 125	Category C 250	Category D 400	Category E 600	Category F 900





1
 ■ RECYFIX HICAP channel 100 in PP with inlet adapter and integrated ductile iron grating

2
 ■ The connector is used to connect to the next nominal size up.

3
 ■ RECYFIX HICAP channel 150 in PP with inlet adapter and integrated ductile iron grating

4
 ■ T-connector for connecting to branches

5
 ■ RECYFIX HICAP channel 200 in PP with inlet adapter and integrated ductile iron grating

6
 ■ RECYFIX HICAP channel 300 in PP with inlet adapter and integrated ductile iron grating

7
 ■ RECYFIX HICAP channel 680 in PP with inlet adapter and integrated ductile iron grating

8
 ■ End cap 100

9
 ■ End cap 680 with canal connection option

10
 ■ Trash box with galvanised angle housing and boltless-locking system SIDE-LOCK, Ductile iron grating class F 900 and 2-sided pipe connection possibility. Could be used for step from one to another nominal size on every position of the channel run.

FASERFIX®SUPER
FASERFIX®KS
FASERFIX®BIG
RECYFIX®PLUS X
RECYFIX®NC
RECYFIX®MONOTEC
RECYFIX®HICAP®
FASERFIX®POINT

RECYFIX®HICAP®

High capacity drainage system for the highest load category.

Sample calculation:

RECYFIX®HICAP®F with transverse web grating

The hydraulic advantages of RECYFIX HICAP channels can be demonstrated by the following calculation:

Inlet capacity of a transverse web grating, determined at Prague Technical University: **4.0 l/s per metre**

frequently occurring yield from rain events: **150 l/s per hectare**

$$150 \text{ l/s ha} = 0.015 \text{ l/s m}^2$$

$$\frac{4.0 \text{ l/s m}}{0.015 \text{ l/s m}^2} = 266.67 \text{ m}$$

Result of this example:

1 m RECYFIX HICAP channel with transverse web grating can discharge the rainwater from 266.67 m² when the yield is 150 litres per second and hectare.

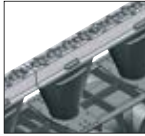
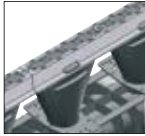

Rain event
150 l/s per hectare



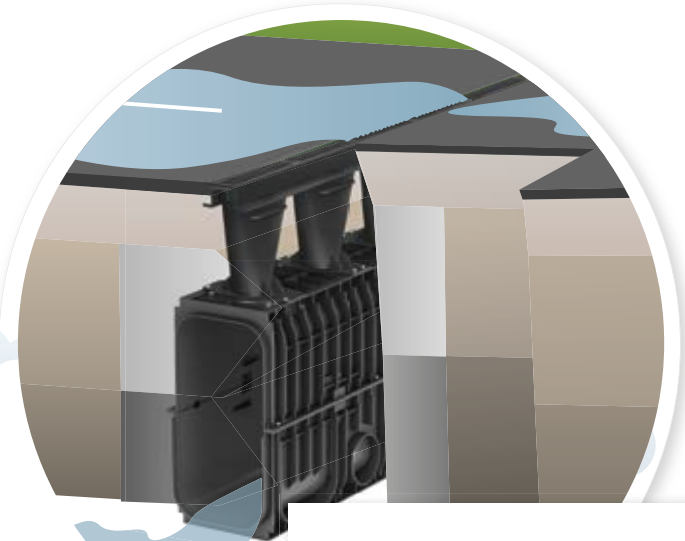
Area to be drained
133 m²

Inlet capacity of RECYFIX®HICAP®F

(applies to all nominal widths)

Grating		Grating inlet capacity in l/s*
Longitudinal webs		3.80
Transverse webs		4.00
Open slot		3.60

* measured with a water head of 10 mm



Flow capacity of a transverse web grating
4 l/s per metre



Area to be drained
133 m²

FASERFIX®SUPER

FASERFIX®KS

FASERFIX®BIG

RECYFIX®PLUS X

RECYFIX®NC

RECYFIX®MONOTEC

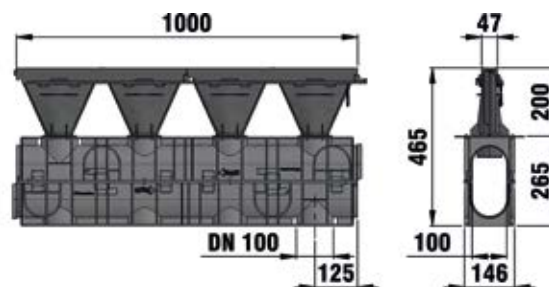
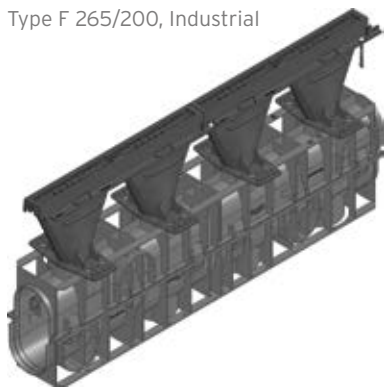
RECYFIX®HICAP®

FASERFIX®POINT

RECYFIX®HICAP®F 100

RECYFIX®HICAP®F 100 Type 265, recycled composite, Slot design made of ductile iron EN-GJS-500-7, class F 900

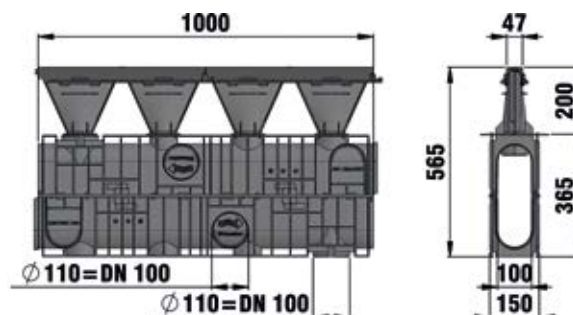
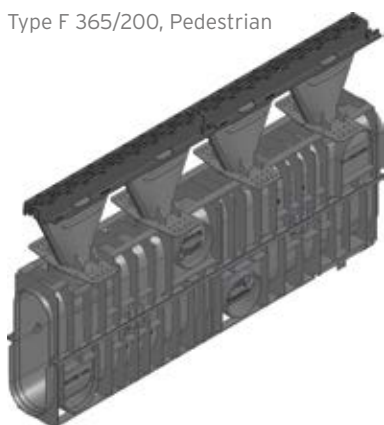
Type F 265/200, Industrial



	Length mm	Width mm	Height mm	Drainage cross-sect. cm ²	Intake cross-sect. cm ² /m	Weight kg	Item No.
Type F 265/200, Pedestrian	1000	146	465	184	154	10,8	13000
Type F 265/200, Traffic	1000	146	465	184	172	10,8	13025
Type F 265/200, Industrial	1000	146	465	184	248	10,4	13035
Type F 265/200, Slot 14 mm	1000	146	465	184	124	10,8	13023
Type F 265/300, Pedestrian	1000	146	565	184	154	11,1	13065
Type F 265/300, Traffic	1000	146	565	184	172	11,1	13075
Type F 265/300, Industrial	1000	146	565	184	248	10,9	13085
Type F 265/300, Slot 14 mm	1000	146	565	184	124	11,1	13073

RECYFIX®HICAP®F 100 Type 365, recycled composite, Slot design made of ductile iron EN-GJS-500-7, class F 900

Type F 365/200, Pedestrian



	Length mm	Width mm	Height mm	Drainage cross-sect. cm ²	Intake cross-sect. cm ² /m	Weight kg	Item No.
Type F 365/200, Pedestrian	1000	150	565	284	154	13,2	13010
Type F 365/200, Traffic	1000	150	565	284	172	13,1	13020
Type F 365/200, Industrial	1000	150	565	284	248	12,6	13030
Type F 365/200, Slot 14 mm	1000	150	565	284	124	11,5	13028
Type F 365/300, Pedestrian	1000	150	665	284	154	13,4	13060
Type F 365/300, Traffic	1000	150	665	284	172	13,3	13070
Type F 365/300, Industrial	1000	150	665	284	248	11,8	13080
Type F 365/300, Slot 14 mm	1000	150	665	284	124	11,8	13078

RECYFIX®HICAP®F 100

RECYFIX®HICAP® 100, Accessories



End cap type 265



End cap 100, type 365



End cap 100 with outlet, type 365

	Length mm	Width mm	Height mm	Weight kg	Item No.
End cap type 265	-	140	250	1,2	13013
End cap with outlet, type 265	-	140	250	1,2	13018
End cap 100, type 365	-	140	350	1,8	13012
End cap 100 with outlet, type 365	-	140	350	2,0	13015
Connecting plate from RECYFIX HICAP 100 type 365 to RECYFIX HICAP 100 Type 265	-	180	245	1,0	13019
Connecting plate ramp, stainless steel, from RECYFIX HICAP 100 type 365 to RECYFIX HICAP 100 Type 265	99	97	-	0,3	13195

RECYFIX®HICAP®F Trash boxes



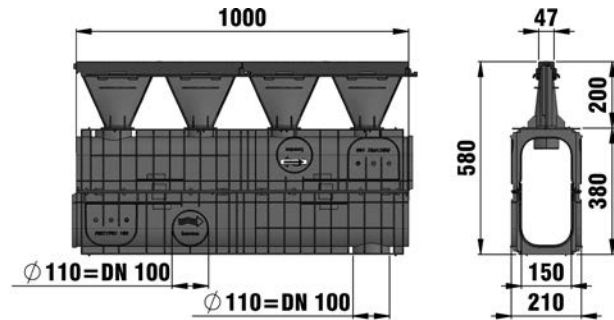
Trash box complete with ductile iron grating class E 600

	Length mm	Width mm	Height mm	Weight kg	Item No.
Trash box complete with ductile iron grating class E 600	511	590	1114	101,0	16500
Trash box complete with solid ductile iron grating, class E 600	511	590	1114	103,5	16505
Assembling of end cap NW 100 Type 265 on RECYFIX HICAP trash box	-	-	-	2,7	881
Assembling of end cap NW 100 Type 365 on RECYFIX HICAP trash box	-	-	-	4,1	882
Assembling of end cap NW 150 on RECYFIX HICAP trash box	-	-	-	3,9	884
Assembling of end cap NW 200 on RECYFIX HICAP trash box	-	-	-	3,8	886
Assembling of end cap NW 300 on RECYFIX HICAP trash box	-	-	-	4,7	888

RECYFIX®HICAP®F 150

RECYFIX®HICAP®F 150, recycled composite, Slot design made of ductile iron
EN-GJS-500-7, **class F 900**

Type F 380/200,
Traffic



	Length mm	Width mm	Height mm	Drainage cross-sect. cm ²	Intake cross-sect. cm ² /m	Weight kg	Item No.
Type F 380/200, Pedestrian	1000	210	580	460	154	12,5	13210
Type F 380/200, Traffic	1000	210	580	460	172	12,4	13220
Type F 380/200, Industrial	1000	210	580	460	248	11,9	13230
Type F 380/200, Slot 14 mm	1000	210	580	460	124	12,0	13225
Type F 380/300, Pedestrian	1000	210	680	460	154	12,7	13260
Type F 380/300, Traffic	1000	210	680	460	172	12,6	13270
Type F 380/300, Industrial	1000	210	680	460	248	11,8	13280
Type F 380/300, Slot 14 mm	1000	210	680	460	124	12,3	13275

RECYFIX®HICAP®F 150

RECYFIX®HICAP® 150, Accessories



End cap 150



End cap 150 with outlet



Connecting plate from RECYFIX HICAP 150 type 380 to RECYFIX HICAP 100 Type 365

	Length mm	Width mm	Height mm	Weight kg	Item No.
End cap 150	-	190	370	2,0	13212
End cap 150 with outlet	-	190	370	2,4	13215
Connecting plate from RECYFIX HICAP 150 type 380 to RECYFIX HICAP 100 Type 365	-	180	345	2,0	13017

RECYFIX®HICAP®F Trash boxes



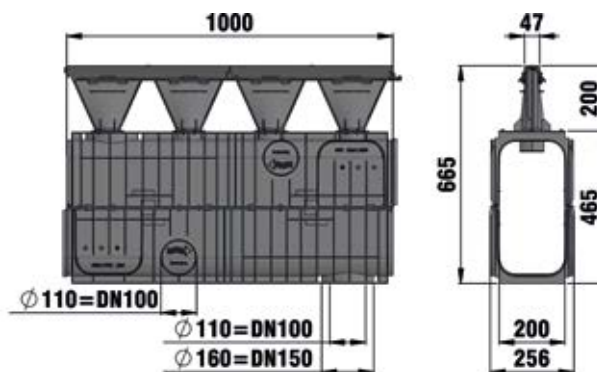
Trash box complete with ductile iron grating class E 600

	Length mm	Width mm	Height mm	Weight kg	Item No.
Trash box complete with ductile iron grating class E 600	511	590	1114	101,0	16500
Trash box complete with solid ductile iron grating, class E 600	511	590	1114	103,5	16505
Assembling of end cap NW 100 Type 265 on RECYFIX HICAP trash box	-	-	-	2,7	881
Assembling of end cap NW 100 Type 365 on RECYFIX HICAP trash box	-	-	-	4,1	882
Assembling of end cap NW 150 on RECYFIX HICAP trash box	-	-	-	3,9	884
Assembling of end cap NW 200 on RECYFIX HICAP trash box	-	-	-	3,8	886
Assembling of end cap NW 300 on RECYFIX HICAP trash box	-	-	-	4,7	888

RECYFIX®HICAP®F 200

RECYFIX®HICAP®F 200, recycled composite, Slot design made of ductile iron
EN-GJS-500-7, class F 900

Type F 465/200,
Pedestrian



	Length mm	Width mm	Height mm	Drainage cross-sect. cm ²	Intake cross-sect. cm ² /m	Weight kg	Item No.
Type F 465/200, Pedestrian	1000	256	665	790	154	14,0	13410
Type F 465/200, Traffic	1000	256	665	790	172	13,9	13420
Type F 465/200, Industrial	1000	256	665	790	248	13,4	13430
Type F 465/200, Slot 14 mm	1000	256	665	790	124	13,5	13425
Type F 465/300, Pedestrian	1000	256	765	790	154	14,2	13460
Type F 465/300, Traffic	1000	256	765	790	172	14,1	13470
Type F 465/300, Industrial	1000	256	765	790	248	13,6	13480
Type F 465/300, Slot 14 mm	1000	256	765	790	124	13,8	13475

RECYFIX®HICAP®F 200

RECYFIX®HICAP® 200, Accessories



End cap 200



End cap 200 with outlet



Connecting plate from RECYFIX HICAP 200 type 465 to RECYFIX HICAP 150 Type 380

	Length mm	Width mm	Height mm	Weight kg	Item No.
End cap 200	-	240	450	2,0	13412
End cap 200 with outlet	-	240	450	2,1	13415
Connecting plate from RECYFIX HICAP 200 type 465 to RECYFIX HICAP 150 Type 380	-	-	-	2,2	13217
Connecting plate ramp, stainless steel, from RECYFIX HICAP 200 type 465 to RECYFIX HICAP 150 Type 380	84	197	80	0,5	13295

RECYFIX®HICAP®F Trash boxes



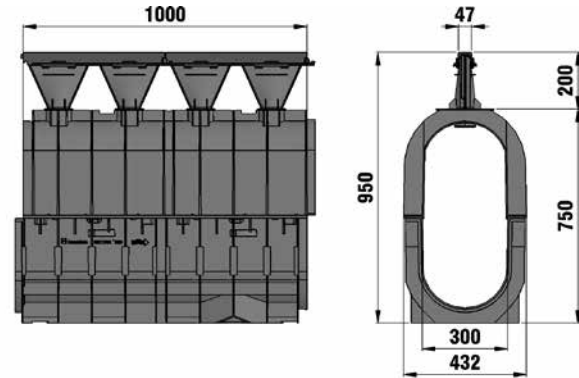
Trash box complete with ductile iron grating class E 600

	Length mm	Width mm	Height mm	Weight kg	Item No.
Trash box complete with ductile iron grating class E 600	511	590	1114	101,0	16500
Trash box complete with solid ductile iron grating, class E 600	511	590	1114	103,5	16505
Assembling of end cap NW 100 Type 265 on RECYFIX HICAP trash box	-	-	-	2,7	881
Assembling of end cap NW 100 Type 365 on RECYFIX HICAP trash box	-	-	-	4,1	882
Assembling of end cap NW 150 on RECYFIX HICAP trash box	-	-	-	3,9	884
Assembling of end cap NW 200 on RECYFIX HICAP trash box	-	-	-	3,8	886
Assembling of end cap NW 300 on RECYFIX HICAP trash box	-	-	-	4,7	888

RECYFIX®HICAP®F 300

RECYFIX®HICAP®F 300, recycled composite, Slot design made of ductile iron
EN-GJS-500-7, class F 900*

Type F 750/200,
Pedestrian



	Length mm	Width mm	Height mm	Drainage cross-sect. cm ²	Intake cross-sect. cm ² /m	Weight kg	Item No.
Type F 750/200, Pedestrian	1000	432	950	1714	154	24,0	13610
Type F 750/200, Traffic	1000	432	950	1714	172	23,9	13620
Type F 750/200, Industrial	1000	432	950	1714	248	23,4	13630
Type F 750/200, Slot 14 mm	1000	432	950	1714	124	23,5	13625
Type F 750/300, Pedestrian	1000	432	1050	1714	154	24,2	13660
Type F 750/300, Traffic	1000	432	1050	1714	172	24,1	13670
Type F 750/300, Industrial	1000	432	1050	1714	248	26,6	13680
Type F 750/300, Slot 14 mm	1000	432	1050	1714	124	23,8	13675

* Installation of type 750/200 up to loading class E 600.

RECYFIX®HICAP®F 300

RECYFIX®HICAP® 300, Accessories



End cap 300



End cap 300 with outlet



Connecting plate from RECYFIX HICAP 300 type 750 to RECYFIX HICAP 200 Type 465

	Length mm	Width mm	Height mm	Weight kg	Item No.
End cap 300	-	420	720	3,0	13612
End cap 300 with outlet	-	420	720	5,6	13615
Connecting plate from RECYFIX HICAP 300 type 750 to RECYFIX HICAP 200 Type 465	-	-	-	2,0	13417
Connecting plate ramp, stainless steel, from RECYFIX HICAP 300 type 750 to RECYFIX HICAP 200 Type 465	258	291	254	1,9	13695

RECYFIX®HICAP®F Trash boxes



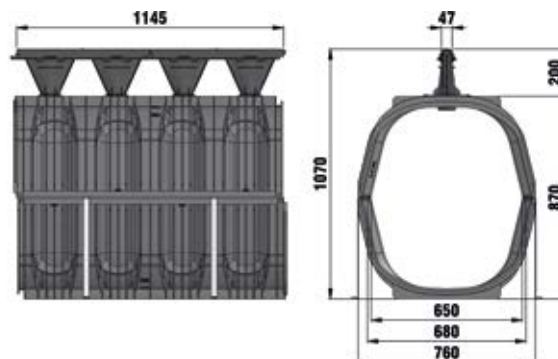
Trash box complete with ductile iron grating class E 600

	Length mm	Width mm	Height mm	Weight kg	Item No.
Trash box complete with ductile iron grating class E 600	511	590	1114	101,0	16500
Trash box complete with solid ductile iron grating, class E 600	511	590	1114	103,5	16505
Assembling of end cap NW 100 Type 265 on RECYFIX HICAP trash box	-	-	-	2,7	881
Assembling of end cap NW 100 Type 365 on RECYFIX HICAP trash box	-	-	-	4,1	882
Assembling of end cap NW 150 on RECYFIX HICAP trash box	-	-	-	3,9	884
Assembling of end cap NW 200 on RECYFIX HICAP trash box	-	-	-	3,8	886
Assembling of end cap NW 300 on RECYFIX HICAP trash box	-	-	-	4,7	888

RECYFIX®HICAP®F 680

RECYFIX®HICAP®F 680, recycled composite, Slot design made of ductile iron
EN-GJS-500-7, class F 900*

Type F 860/200, Pedestrian

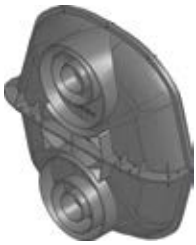


	Length mm	Width mm	Height mm	Drainage cross-sect. cm ²	Intake cross-sect. cm ² /m	Weight kg	Item No.
Type F 860/200, Pedestrian	1145	760	1070	4430	154	30,9	13810
Type F 860/200, Traffic	1145	760	1070	4430	172	31,0	13820
Type F 860/200, Industrial	1145	760	1070	4430	248	30,4	13830
Type F 860/200, Industrial, SW 14 mm	1145	760	1070	4430	-	29,6	13840
Type F 860/300, Pedestrian	1145	760	1170	4430	154	31,9	13860
Type F 860/300, Traffic	1145	760	1170	4430	172	31,2	13870
Type F 860/300, Industrial	1145	760	1170	4430	248	30,6	13880
Type F 860/300, Industrial, SW 14 mm	1145	760	1170	4430	-	29,7	13885

* Installation of type 860/200 up to loading class D 400.

RECYFIX®HICAP®F 680

RECYFIX®HICAP® 680, Accessories



End cap 680



Connecting plate from
RECYFIX HICAP 680 type 860 to
RECYFIX HICAP 300 Type 750

	Length mm	Width mm	Height mm	Weight kg	Item No.
End cap 680	-	803	822	4,4	13817
Connecting plate from RECYFIX HICAP 680 type 860 to RECYFIX HICAP 300 Type 750	-	-	-	5,0	13617
Connecting plate ramp, stainless steel, from RECYFIX HICAP 300 type 750 to RECYFIX HICAP 200 Type 465	280	686	255	4,3	13895

RECYFIX®HICAP®F Trash boxes



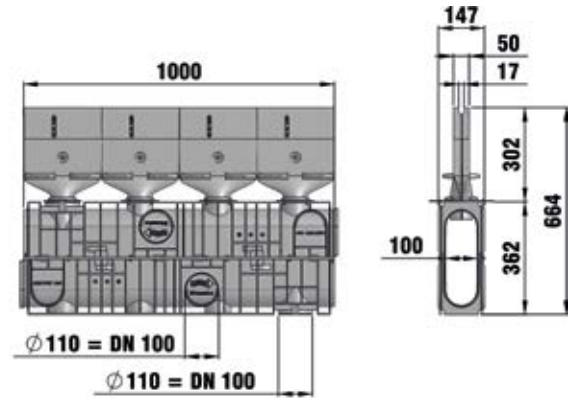
Trash box complete with ductile
iron grating class E 600

	Length mm	Width mm	Height mm	Weight kg	Item No.
Trash box complete with ductile iron grating class E 600	511	590	1114	101,0	16500
Trash box complete with solid ductile iron grating, class E 600	511	590	1114	103,5	16505
Assembling of end cap NW 100 Type 265 on RECYFIX HICAP trash box	-	-	-	2,7	881
Assembling of end cap NW 100 Type 365 on RECYFIX HICAP trash box	-	-	-	4,1	882
Assembling of end cap NW 150 on RECYFIX HICAP trash box	-	-	-	3,9	884
Assembling of end cap NW 200 on RECYFIX HICAP trash box	-	-	-	3,8	886
Assembling of end cap NW 300 on RECYFIX HICAP trash box	-	-	-	4,7	888

RECYFIX®HICAP®G 100

RECYFIX®HICAP®G 100, recycled composite body, slot design made of ductile iron
EN-GJS-500-7, class F 900

Type 365



	Length mm	Width mm	Height mm	Drainage cross-sect. cm ²	Intake cross-sect. cm ² /m	Weight kg	Item No.
Type 265	1000	146	565	184	152	35,9	16100
Type 365	1000	147	664	284	152	37,3	16150

RECYFIX®HICAP®G 100

RECYFIX®HICAP® 100, Accessories



End cap type 265



End cap 100, type 365



End cap 100 with outlet, type 365

	Length mm	Width mm	Height mm	Weight kg	Item No.
End cap type 265	-	140	250	1,2	13013
End cap with outlet, type 265	-	140	250	1,2	13018
End cap 100, type 365	-	140	350	1,8	13012
End cap 100 with outlet, type 365	-	140	350	2,0	13015
Connecting plate from RECYFIX HICAP 100 type 365 to RECYFIX HICAP 100 Type 265	-	180	245	1,0	13019
Connecting plate ramp, stainless steel, from RECYFIX HICAP 100 type 365 to RECYFIX HICAP 100 Type 265	99	97	-	0,3	13195

Trash box on request.

RECYFIX®HICAP®G Trash boxes



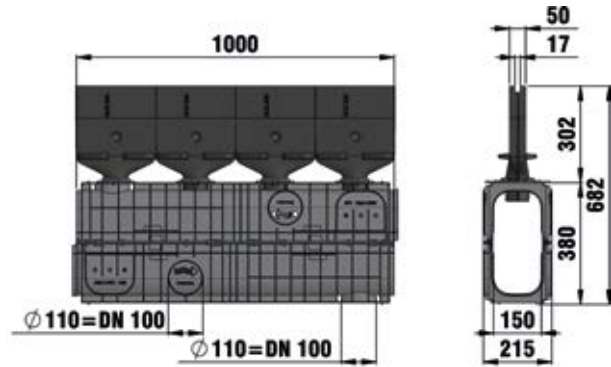
Trash box complete with ductile iron grating class E 600

	Length mm	Width mm	Height mm	Weight kg	Item No.
Trash box complete with ductile iron grating class E 600	511	590	1114	101,0	16500
Trash box complete with solid ductile iron cover, class E 600	511	590	1114	103,5	16505
Assembling of end cap NW 100 Type 265 on RECYFIX HICAP trash box	-	-	-	2,7	881
Assembling of end cap NW 100 Type 365 on RECYFIX HICAP trash box	-	-	-	4,1	882
Assembling of end cap NW 150 on RECYFIX HICAP trash box	-	-	-	3,9	884
Assembling of end cap NW 200 on RECYFIX HICAP trash box	-	-	-	3,8	886
Assembling of end cap NW 300 on RECYFIX HICAP trash box	-	-	-	4,7	888

RECYFIX®HICAP®G 150

RECYFIX®HICAP®G 150, recycled composite body, slot design made of ductile iron
EN-GJS-500-7, **class F 900**

Type 380



	Length mm	Width mm	Height mm	Drainage cross-sect. cm ²	Intake cross-sect. cm ² /m	Weight kg	Item No.
Type 380	1000	215	682	460	152	37,1	16200

RECYFIX®HICAP®G 150

RECYFIX®HICAP® 150, Accessories



End cap 150



End cap 150 with outlet



Connecting plate from RECYFIX HICAP 150 type 380 to RECYFIX HICAP 100 Type 365

	Length mm	Width mm	Height mm	Weight kg	Item No.
End cap 150	-	190	370	2,0	13212
End cap 150 with outlet	-	190	370	2,4	13215
Connecting plate from RECYFIX HICAP 150 type 380 to RECYFIX HICAP 100 Type 365	-	180	345	2,0	13017

Trash box on request.

RECYFIX®HICAP®G Trash boxes



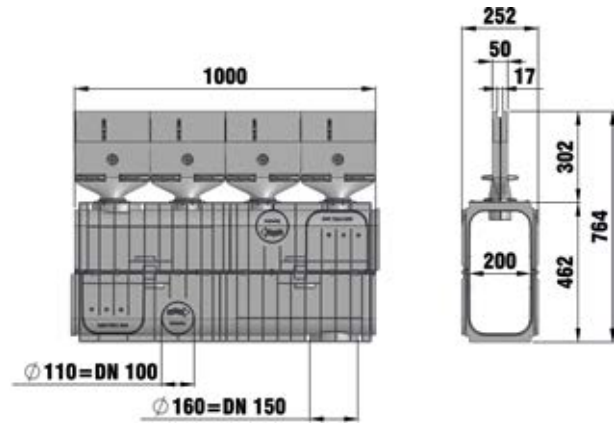
Trash box complete with ductile iron grating class E 600

	Length mm	Width mm	Height mm	Weight kg	Item No.
Trash box complete with ductile iron grating class E 600	511	590	1114	101,0	16500
Trash box complete with solid ductile iron cover, class E 600	511	590	1114	103,5	16505
Assembling of end cap NW 100 Type 265 on RECYFIX HICAP trash box	-	-	-	2,7	881
Assembling of end cap NW 100 Type 365 on RECYFIX HICAP trash box	-	-	-	4,1	882
Assembling of end cap NW 150 on RECYFIX HICAP trash box	-	-	-	3,9	884
Assembling of end cap NW 200 on RECYFIX HICAP trash box	-	-	-	3,8	886
Assembling of end cap NW 300 on RECYFIX HICAP trash box	-	-	-	4,7	888

RECYFIX®HICAP®G 200

RECYFIX®HICAP®G 200, recycled composite body, slot design made of ductile iron
EN-GJS-500-7, **class F 900**

Type 465



	Length mm	Width mm	Height mm	Drainage cross-sect. cm ²	Intake cross-sect. cm ² /m	Weight kg	Item No.
Type 370	1000	256	670	584	152	38,4	16300
Type 465	1000	252	764	790	152	44,4	16350

RECYFIX®HICAP®G 200

RECYFIX®HICAP® 200, Accessories



End cap 200



End cap 200 with outlet



Connecting plate from RECYFIX HICAP 200 type 465 to RECYFIX HICAP 150 Type 380

	Length mm	Width mm	Height mm	Weight kg	Item No.
End cap 200	-	240	450	2,0	13412
End cap 200 with outlet	-	240	450	2,1	13415
Connecting plate from RECYFIX HICAP 200 type 465 to RECYFIX HICAP 150 Type 380	-	-	-	2,2	13217
Connecting plate ramp, stainless steel, from RECYFIX HICAP 200 type 465 to RECYFIX HICAP 150 Type 380	84	197	80	0,5	13295

Trash box on request.

RECYFIX®HICAP®G Trash boxes



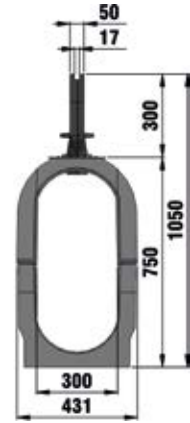
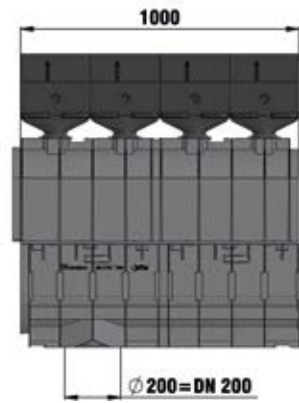
Trash box complete with ductile iron grating class E 600

	Length mm	Width mm	Height mm	Weight kg	Item No.
Trash box complete with ductile iron grating class E 600	511	590	1114	101,0	16500
Trash box complete with solid ductile iron cover, class E 600	511	590	1114	103,5	16505
Assembling of end cap NW 100 Type 265 on RECYFIX HICAP trash box	-	-	-	2,7	881
Assembling of end cap NW 100 Type 365 on RECYFIX HICAP trash box	-	-	-	4,1	882
Assembling of end cap NW 150 on RECYFIX HICAP trash box	-	-	-	3,9	884
Assembling of end cap NW 200 on RECYFIX HICAP trash box	-	-	-	3,8	886
Assembling of end cap NW 300 on RECYFIX HICAP trash box	-	-	-	4,7	888

RECYFIX®HICAP®G 300

RECYFIX®HICAP®G 300, recycled composite body, slot design made of ductile iron
EN-GJS-500-7, class F 900

Type 750



	Length mm	Width mm	Height mm	Drainage cross-sect. cm ²	Intake cross-sect. cm ² /m	Weight kg	Item No.
Type 750	1000	431	1050	1714	152	48,6	16400

RECYFIX®HICAP®G 300

RECYFIX®HICAP® 300, Accessories



End cap 300



End cap 300 with outlet



Connecting plate from RECYFIX HICAP 300 type 750 to RECYFIX HICAP 200 Type 465

	Length mm	Width mm	Height mm	Weight kg	Item No.
End cap 300	-	420	720	3,0	13612
End cap 300 with outlet	-	420	720	5,6	13615
Connecting plate from RECYFIX HICAP 300 type 750 to RECYFIX HICAP 200 Type 465	-	-	-	2,0	13417
Connecting plate ramp, stainless steel, from RECYFIX HICAP 300 type 750 to RECYFIX HICAP 200 Type 465	258	291	254	1,9	13695

Trash box on request.

RECYFIX®HICAP®G Trash boxes



Trash box complete with ductile iron grating class E 600

	Length mm	Width mm	Height mm	Weight kg	Item No.
Trash box complete with ductile iron grating class E 600	511	590	1114	101,0	16500
Trash box complete with solid ductile iron cover, class E 600	511	590	1114	103,5	16505
Assembling of end cap NW 100 Type 265 on RECYFIX HICAP trash box	-	-	-	2,7	881
Assembling of end cap NW 100 Type 365 on RECYFIX HICAP trash box	-	-	-	4,1	882
Assembling of end cap NW 150 on RECYFIX HICAP trash box	-	-	-	3,9	884
Assembling of end cap NW 200 on RECYFIX HICAP trash box	-	-	-	3,8	886
Assembling of end cap NW 300 on RECYFIX HICAP trash box	-	-	-	4,7	888