

# Slotted Channels

Slotted Channels for design-sensitive applications.







# Slotted Channels

Slotted Channels for design-sensitive applications.

## 1 Requirements

For the drainage of areas with architectural demands

- the surface drainage has to be discreetly hidden.
- processing of all standard surface layers and stone slabs should be possible.
- the surface water needs to be drained reliably.

## 2 Application areas

- for areas and facades with high optical demands
- especially in public and commercial areas

## 3 Solutions

Therefore Slotted Channels are suitable for the drainage of areas with architectural demands:

- only with the visible slot (narrow line) on the surface the clear elegance and significance is reached
- for all common surface layers and even asphalt
- allows to design a project in an uniform design
- functional requirements are completely met
- easy access to channel run through access cover
- slotted gratings made of galvanised or stainless steel



Shopping center Atoll Angers Beaucouzé, France



Public area Karlsruhe, Germany





Phoenix Sea in Dortmund, Germany



Kocherquartier, Schwäbisch Hall, Germany



Town hall square in Esch-sur-Alzette, France



Town hall square in Alicante, Spain

**RECYFIX®**  
PRO

**RECYFIX®**  
PLUS

**RECYFIX®**  
STANDARD

**DACHFIX®**

**Slotted Channel**

**FASERFIX®**  
STANDARD

**RECYFIX®-POINT**  
**FASERFIX®-POINT**

**RECYFIX®**  
GREEN

**LINEFIX®**

# The benefits of **Slotted Channels**



## Individual solutions

- slotted covers made of: galvanised or stainless steel
- symmetrical and asymmetrical versions
- individual slotted covers with modified neck height, crossbars in the slot and more designs possible
- easy preparation of corner connections possible

= **flexibility**

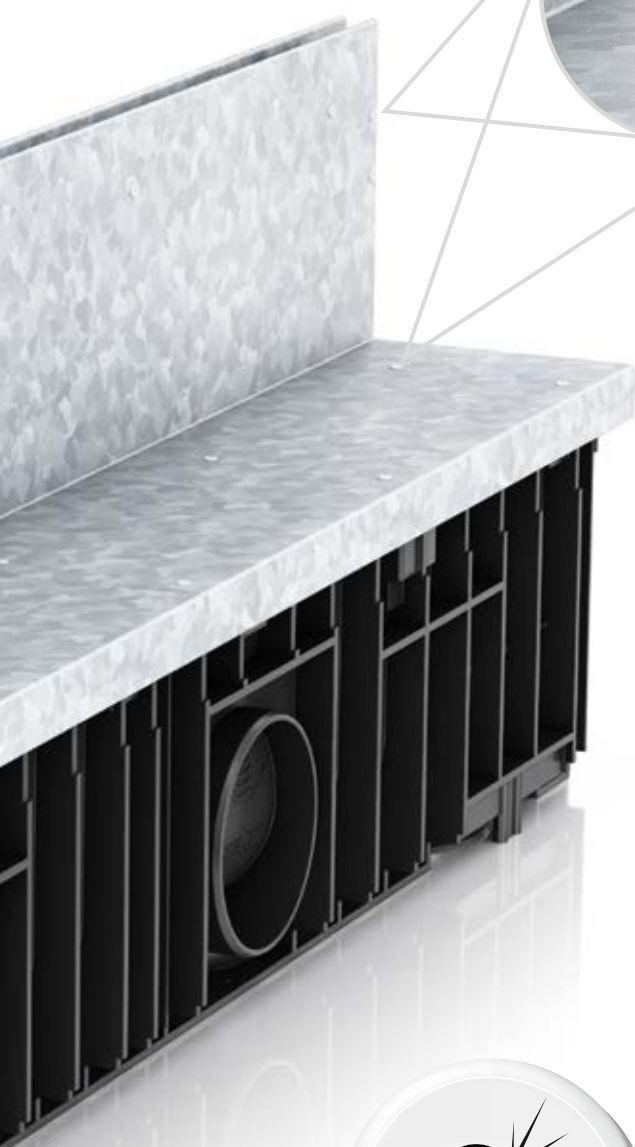


## Easy installation

- easy handling and installation
- integrated tongue and groove connection of channels and covers - allows an easy installation without long adjustment

= **cost reduction**





### Technical features of the covers

- reinforcements under the cover and material thickness provide perfect balance between weight and stability
- class D 400: material thickness 4 mm

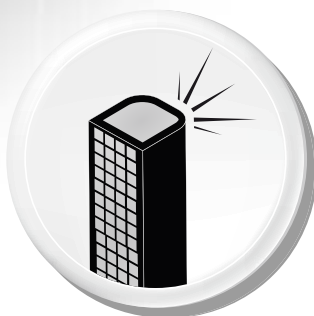
**= quality / security**



### Connection possibilities

- access covers fit on channels and trash boxes
- connection to sewage pipes are possible from trash box and channels (from the side or bottom)

**= flexibility**



### Attractive product

- perfectly designed drainage line blends in harmoniously with its surroundings - slot width 12.5 mm for class A - C, slot width 18 mm for class D

**= uniqueness / exclusiveness / originality**

RECYFIX®  
PRO

RECYFIX®  
PLUS

RECYFIX®  
STANDARD

DACHFIX®

Slotted Channel

FASERFIX®  
STANDARD

RECYFIX®POINT  
FASERFIX®POINT

RECYFIX®  
GREEN

LINEFIX®



# Slotted Channels

Slotted Channels for design-sensitive applications.

## Reliable drainage with HAURATON Slotted Channels for a harmonious finish design in public squares

### FASERFIX® Slotted Channel

**Neumarkt and Frauenkirche in Dresden: historic locations with modern drainage.**

Neumarkt is a central square in Dresden's old city. The square is surrounded by numerous historic buildings; the most famous one is the Frauenkirche, which was completed in 1743 and reconstructed in 2005. Amongst these historic buildings, FASERFIX Slotted Channels provide reliable surface drainage. The most important requirement stipulated by the town planners regarding the selection of the channel system was that reliable drainage of surface water was installed while maintaining the historic setting and creating a cohesive urban design. Slotted channels are the perfect answer to this requirement.

### Design features of these channels:

- FASERFIX STANDARD 150 lower section: rugged and safe
- slotted cover
  - class D 400: perfectly suited for the traffic on the Neumarkt square
  - material: stainless steel for maximum corrosion resistance and durability
  - Neck dimension: 150 mm for secure installation in the cobblestone paving
- symmetrical and asymmetrical models for installation in squares, along facades and kerb stones
- access to the channels via access covers with visually unobtrusive inspection tops



**Neumarkt in Dresden,  
Germany**



<b>RECYFIX® PRO</b>
<b>RECYFIX® PLUS</b>
<b>RECYFIX® STANDARD</b>
<b>DACHFIX®</b>
<b>Slotted Channel</b>
<b>FASERFIX® STANDARD</b>
<b>RECYFIX®-POINT FASERFIX®-POINT</b>
<b>RECYFIX® GREEN</b>
<b>LINEFIX®</b>



# Slotted Channels

Slotted Channels for design-sensitive applications.

Slotted Channels meet the requirements of DIN EN 1433 and are suitable for the following load categories:

**Category A 15, Load class 15 kN**

Trafficked areas, which are exclusively used by pedestrians and cyclists

**Category B 125, Load class 125 kN**

Sidewalks, pedestrian areas and comparable areas, car parks or car parking decks

**Category C 250, Load class 250 kN**

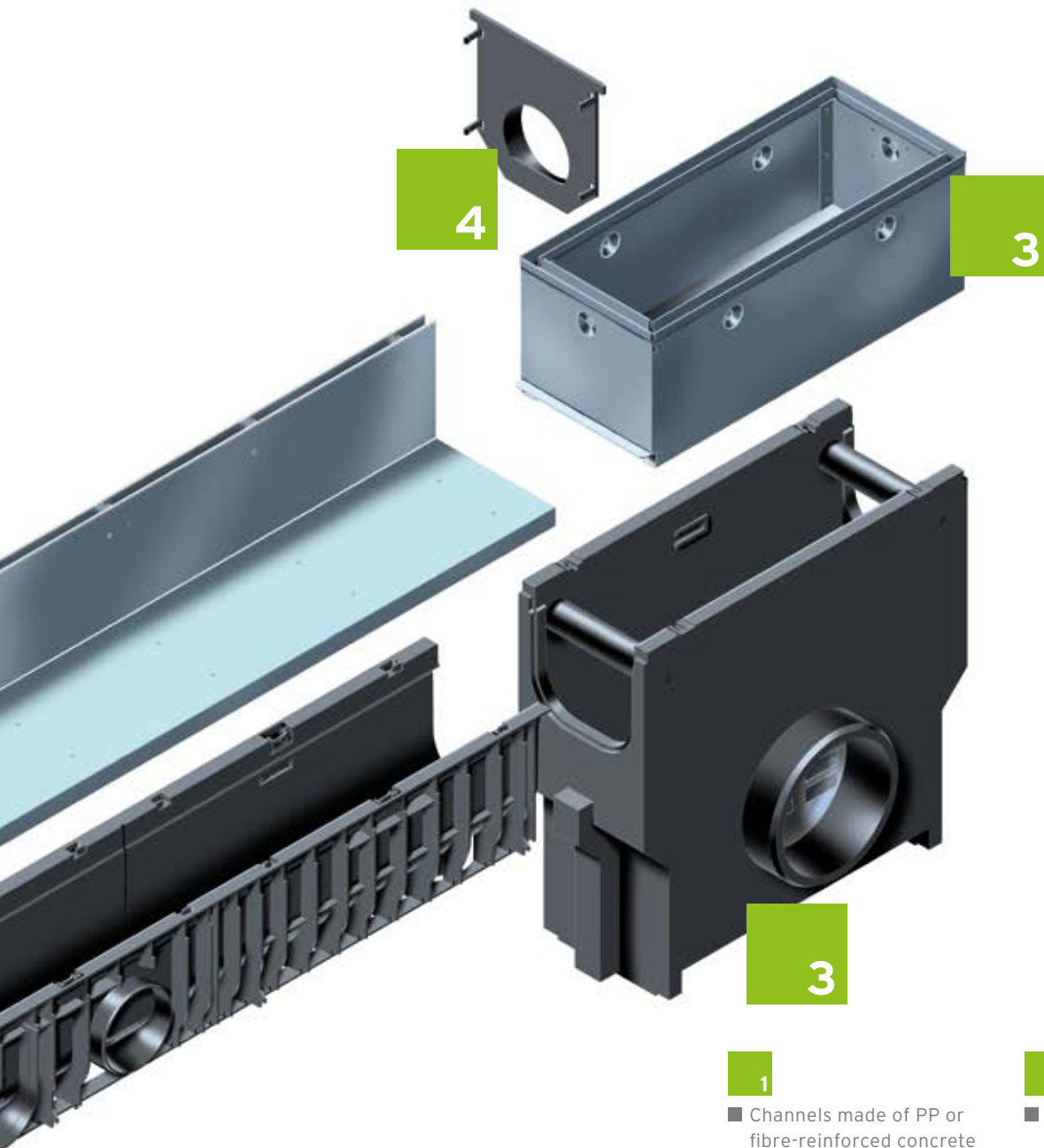
Sidewalk channel areas and untraveled side panels or similar

**Category D 400, Load class 400 kN**

Carriageways of roads (including pedestrian streets), sideways of roads and parking areas that are passable for all types of road vehicles.

If in doubt, the higher category should be used.





1

■ Channels made of PP or fibre-reinforced concrete in nominal sizes 100 and 150, with tongue and groove connection for exact installation

2

■ Symmetrical or asymmetrical covers made of galvanised or stainless steel

3

■ Trash box with pipe connection possibility, with fitting access cover

4

■ End caps with or without outlets

### Easy opening of access cover by means of extraction bail



RECYFIX®  
PRO

RECYFIX®  
PLUS

RECYFIX®  
STANDARD

DACHFIX®

Slotted Channel

FASERFIX®  
STANDARD

RECYFIX®-POINT  
FASERFIX®-POINT

RECYFIX®  
GREEN

LINEFIX®

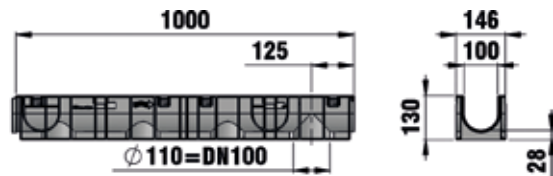
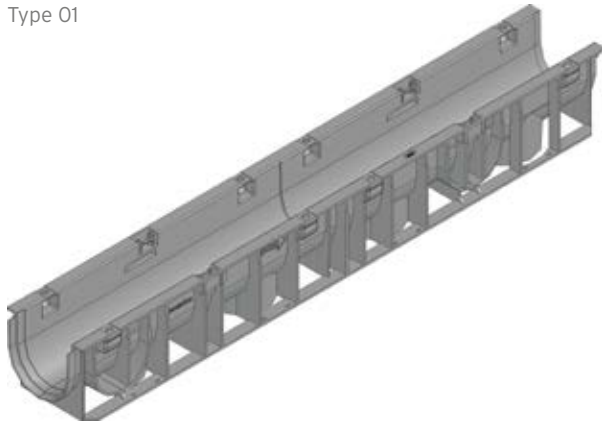


# Slotted Channel 100

## Channels

### RECYFIX®STANDARD 100

Type 01

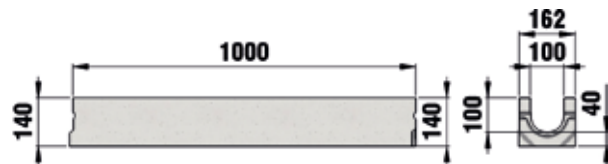


	Length mm	Width mm	Height mm	Drainage cross-sect. cm <sup>2</sup>	Weight kg	Item No.
Type 01	1000	146	130	92	1,9	48200
Type 0105, blank	500	146	130	92	1,2	48249
Type 010	1000	147	181	142	2,5	40321

Other heights on request.

### FASERFIX®STANDARD E 100

Type 01

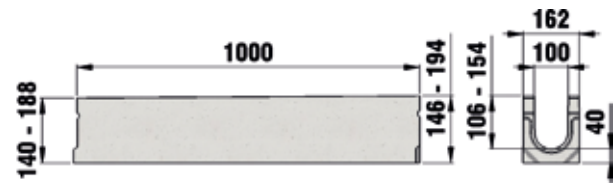


	Length mm	Width mm	Height mm	Drainage cross-sect. cm <sup>2</sup>	Weight kg	Item No.
Type 01	1000	162	140	89	32,0	6200
Type 0105	500	162	140	89	15,0	6249
Type 01L with hole*	1000	162	140	89	30,0	6300
Type 010	1000	162	194	143	38,4	6242
Type 010L with hole*	1000	162	194	143	39,5	6342

# Slotted Channel 100

## FASERFIX®STANDARD E 100 with built-in fall 0,6%

Type 1



	Length mm	Width mm	Height mm	Drainage cross-sect. cm <sup>2</sup>	Weight kg	Item No.
Type 1	1000	162	140 - 146	89	32,8	6201
Type 2	1000	162	146 - 152	95	32,9	6202
Type 3	1000	162	152 - 158	101	33,8	6203
Type 4	1000	162	158 - 164	107	35,1	6204
Type 5	1000	162	164 - 170	113	35,2	6205
Type 6	1000	162	170 - 176	119	35,3	6206
Type 7	1000	162	176 - 182	125	36,5	6207
Type 8	1000	162	182 - 188	131	38,0	6208
Type 9	1000	162	188 - 194	137	38,4	6209
Type 10	1000	162	194 - 200	143	38,5	6210

RECYFIX®  
PRO

RECYFIX®  
PLUS

RECYFIX®  
STANDARD

DACHFIX®

Slotted Channel

FASERFIX®  
STANDARD

RECYFIX®POINT  
FASERFIX®POINT

RECYFIX®  
GREEN

LINEFIX®



# Slotted Channel 100

## Gratings

### Slotted Covers 100, neck height 100, class A 15



Asymmetric



Symmetric



Access cover asymmetric



Access cover symmetric

	Length mm	Width mm	Height mm	Intake cross-sect. cm <sup>2</sup> /m	Weight kg	Item-No. galvanised	Item-No. stainless steel
Asymmetric	1000	160	136	125	4,6	5615	5665
Asymmetric	500	160	136	125	3,1	5616	5666
Symmetric	1000	160	136	125	4,6	5715	5765
Symmetric	500	160	136	125	2,2	5716	5766
Access cover asymmetric	500	160	128	7,0	7,0	5640	5690
Access cover symmetric	500	160	128	7,0	7,0	5740	5790
Extraction bail for access covers [2 pieces required]	-	400	150	0,8	0,8	740	-

The quality of stainless steel material corresponds to CNS 1.4301.

### Slotted Covers 100, neck height 160, class C 250



Asymmetric



Symmetric



Access cover asymmetric

	Length mm	Width mm	Height mm	Intake cross-sect. cm <sup>2</sup> /m	Weight kg	Item-No. galvanised	Item-No. stainless steel
Asymmetric	1000	160	196	125	8,2	5725	5775
Asymmetric	500	160	196	125	4,1	5726	5776
Symmetric	1000	160	196	125	8,2	5721	5771
Symmetric	500	160	196	125	4,1	5722	5772
Access cover asymmetric	500	160	188	7,1	7,1	5756	5786
Access cover symmetric	500	160	188	8,0	8,0	5746	5796
Extraction bail for access covers [2 pieces required]	-	400	150	0,8	0,8	740	-

Bigger nominal sizes and individual neck heights as tailor-made production possible for more than 30 m.  
The quality of stainless steel material corresponds to CNS 1.4301.

# Slotted Channel 100

Slotted Covers 100, neck height 200, class D 400\*



Asymmetric



Symmetric



Access cover asymmetric

	Length mm	Width mm	Height mm	Intake cross-sect. cm <sup>2</sup> /m	Weight kg	Item-No. galvanised	Item-No. stainless steel
Asymmetric	1000	160	232	180	18,2	5825	5875
Asymmetric	500	160	232	180	9,2	5826	5876
Symmetric	1000	160	232	180	17,5	5821	5871
Symmetric	500	160	232	180	8,8	5822	5872
Access cover asymmetric	500	160	204	18,1	18,1	5856	5886
Access cover symmetric	500	160	204	23,4	23,4	5846	5896
Extraction bail for access covers (2 pieces required)	-	400	150	0,8	0,8	740	-

\* Not for use across the carriageway of highways or motorways in moving traffic.  
Bigger nominal sizes and individual neck heights as tailor-made production possible for more than 30 m.  
The quality of stainless steel material corresponds to CNS 1.4301.

RECYFIX®  
PRO

RECYFIX®  
PLUS

RECYFIX®  
STANDARD

DACHFIX®

Slotted Channel

FASERFIX®  
STANDARD

RECYFIX®POINT  
FASERFIX®POINT

RECYFIX®  
GREEN

LINEFIX®



# Slotted Channel 100

## Accessories

### RECYFIX®STANDARD 100 Channels



Foul air trap, vertical,  
DN 100



Foul air trap for RECYFIX  
trash box 100



End cap, closed for  
type 01



End cap closed for  
type 010



End cap combined made of PP  
with outlet DN 100, type 010

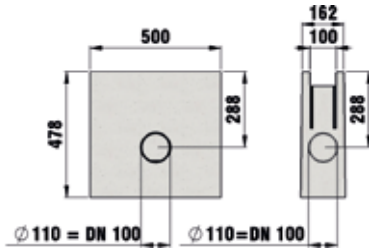
	Length mm	Width mm	Height mm	Weight kg	Item No.
Trash box with mud bucket	500	143	484	4,3	48253
Foul air trap, vertical, DN 100	-	187	181	0,6	40295
Foul air trap for RECYFIX trash box 100	75	78	135	0,1	967
End cap, closed for type 01	-	150	108	-	48081
End cap with outlet DN 100 for type 01	-	148	185	0,1	48091
End cap closed for type 010	-	150	160	-	40282
End cap combined made of PP with outlet DN 100, type 010	-	148	185	0,1	40283
RECYFIX sealing material, 290 ml	-	-	-	0,5	19053
RECYFIX primer, 250 ml	-	-	-	0,5	19054
Holesaw, Ø 102 mm, with tool holder for a driller	-	-	-	0,6	980

# Slotted Channel 100

## FASERFIX®STANDARD E 100 Channels



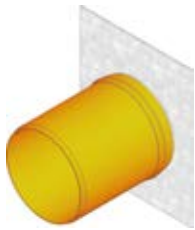
Trash box with plastic bucket



UPVC-outlet DN 100



End cap closed, galvanised, Type 01



End cap with horizontal PVC-outlet DN 100, galvanised, Type 010

	Length mm	Width mm	Height mm	Weight kg	Item No.
Trash box with plastic bucket	500	162	478	46,0	6253
Trash box with galvanised bucket	500	162	478	42,4	6255
Foul air trap DN 100, outside	-	-	-	0,4	961
Foul air trap, DN 100, inside use	-	-	-	0,3	962
Foul air trap DN 100 with hole	-	-	103	0,2	964
UPVC-outlet DN 100	-	-	-	0,2	903
End cap closed, galvanised, Type 01	-	160	140	0,3	6290
End cap closed, galvanised, Type 010	-	160	194	0,4	6291
End cap with horizontal PVC-outlet DN 100, galvanised, Type 010	-	160	194	0,5	6297

## Factory-made services



Inserting of PVC union connectors DN 100 \*

	Length mm	Width mm	Height mm	Weight kg	Item No.
Drilling of connecting holes DN 100	-	-	-	-	972
Inserting of PVC union connectors DN 100 *	-	-	-	-	982

RECYFIX®  
PRO

RECYFIX®  
PLUS

RECYFIX®  
STANDARD

DACHFIX®

Slotted Channel

FASERFIX®  
STANDARD

RECYFIX®POINT  
FASERFIX®POINT

RECYFIX®  
GREEN

LINEFIX®

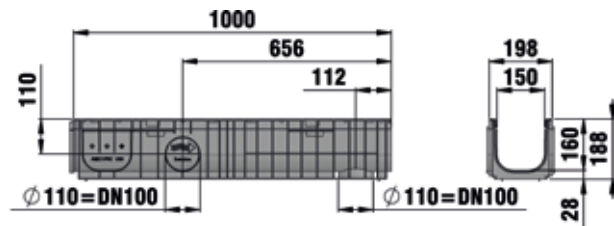
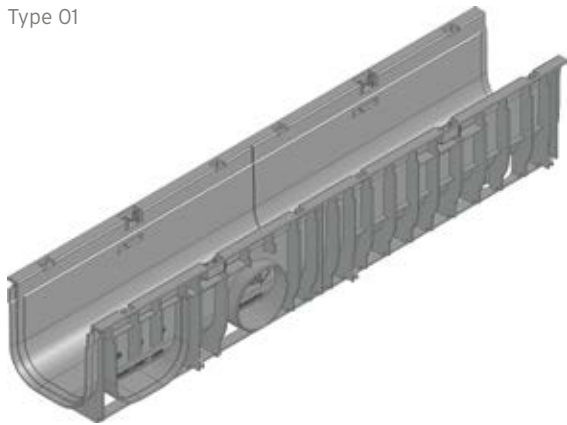


# Slotted Channel 150

## Channels

### RECYFIX®STANDARD 150

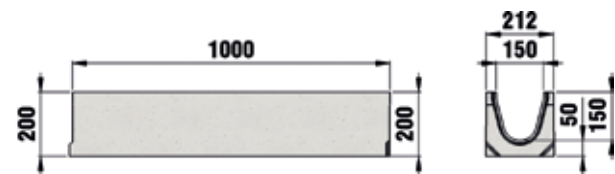
Type 01



	Length mm	Width mm	Height mm	Drainage cross-sect. cm <sup>2</sup>	Weight kg	Item No.
Type 01	1000	198	188	225	2,7	41021
Type 0105, blank	500	198	188	225	1,4	41022

### FASERFIX®STANDARD 150 for Slotted Channels

Type 01



	Length mm	Width mm	Height mm	Drainage cross-sect. cm <sup>2</sup>	Weight kg	Item No.
Type 01	1000	212	200	185	52,9	400
Type 0105	500	212	200	185	26,5	401
Type 010	1000	212	265	269	62,1	403

# Slotted Channel 150

## Gratings

### Slotted Covers 150, neck height 160, class C 250



	Length mm	Width mm	Height mm	Intake cross-sect. cm <sup>2</sup> /m	Weight kg	Item-No. galvanised	Item-No. stainless steel
Asymmetric	1000	210	196	125	8,9	452	462
Asymmetric	500	210	196	125	4,7	453	463
Symmetric	1000	210	196	125	9,1	412	422
Symmetric	500	210	196	125	4,6	413	423
Access cover asymmetric	500	210	188	7,9	7,9	476	486
Access cover symmetric	500	210	188	8,9	8,9	471	481
Extraction bail for access covers (2 pieces required)	-	400	150	0,8	0,8	740	-

Bigger nominal sizes and individual neck heights as tailor-made production possible for more than 30 m.  
The quality of stainless steel material corresponds to CNS 1.4301.

### Slotted Covers 150, neck height 200, class D 400\*



	Length mm	Width mm	Height mm	Intake cross-sect. cm <sup>2</sup> /m	Weight kg	Item-No. galvanised	Item-No. stainless steel
Asymmetric	1000	210	232	180	20,0	457	467
Asymmetric	500	210	232	180	10,1	458	468
Symmetric	1000	210	232	180	19,2	417	427
Symmetric	500	210	232	180	9,7	418	428
Access cover asymmetric	500	210	204	20,4	20,4	491	496
Access cover symmetric	500	210	204	25,7	25,7	490	495
Extraction bail for access covers (2 pieces required)	-	400	150	0,8	0,8	740	-

\* Not for use across the carriageway of highways or motorways in moving traffic.  
Bigger nominal sizes and individual neck heights as tailor-made production possible for more than 30 m.  
The quality of stainless steel material corresponds to CNS 1.4301.

RECYFIX®  
PRO

RECYFIX®  
PLUS

RECYFIX®  
STANDARD

DACHFIX®

Slotted Channel

FASERFIX®  
STANDARD

RECYFIX® POINT  
FASERFIX® POINT

RECYFIX®  
GREEN

LINEFIX®

# Slotted Channel 150

## Accessories

### RECYFIX®STANDARD 150 Channels



Foul air trap, vertical,  
DN 100



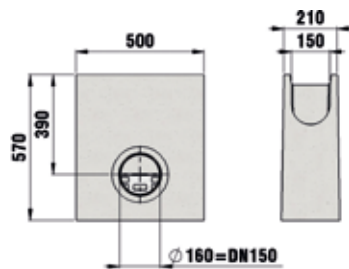
End cap combined made of PP  
with outlet DN 70/100, Type 01

	Length mm	Width mm	Height mm	Weight kg	Item No.
Trash box with mud bucket and end cap	500	198	496	15,1	41062
Foul air trap, vertical, DN 100	-	187	181	0,6	40295
End cap combined made of PP with outlet DN 70/100, Type 01	-	210	203	0,1	40191
RECYFIX sealing material, 290 ml	-	-	-	0,5	19053
RECYFIX primer, 250 ml	-	-	-	0,5	19054
Holesaw, Ø 102 mm, with tool holder for a drill	-	-	-	0,6	980

### FASERFIX®STANDARD 150 Channels



Trash box with galvanised  
mud bucket



	Length mm	Width mm	Height mm	Weight kg	Item-No. galvanised	Item-No. stainless steel
Trash box with galvanised mud bucket	500	210	570	64,6	416	-
Foul air trap DN 150	584	160	439	2,0	960	-
PVC - connection DN 150	-	-	-	0,5	906	-
End cap closed, type 01	-	210	220	0,7	11081	11581
End cap closed, type 010	-	210	265	0,8	11082	11582

The quality of stainless steel material corresponds to CNS 1.4301.



# Slotted Channel 150

## Factory-made services



Drilling of connecting holes DN 150



Inserting of PVC union connectors DN 150\*

	Length mm	Width mm	Height mm	Weight kg	Item No.
Drilling of connecting holes DN 150	-	-	-	-	973
Inserting of PVC union connectors DN 150*	-	-	-	-	983

RECYFIX®  
PRO

RECYFIX®  
PLUS

RECYFIX®  
STANDARD

DACHFIX®

Slotted Channel

FASERFIX®  
STANDARD

RECYFIX®POINT  
FASERFIX®POINT

RECYFIX®  
GREEN

LINEFIX®